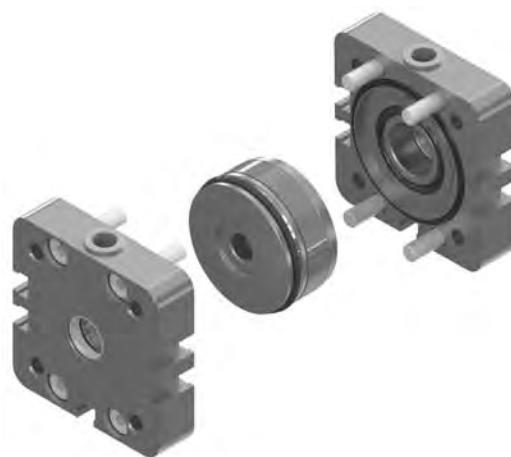


KIT CILINDRO COMPATTO ISO 21287 E UNITOP

compact cylinder kit for ISO 21287 and UNITOP

Il kit comprende:

- testate premontate
- pistone in alluminio con magnete, guarnizioni e anello di guida
- viti
- tutte le guarnizioni necessarie



MAGNETICO, guarnizioni standard

| normale | | stelo passante <i>(passing-through rod)</i> | | | | | | | |
|----------------------------------|-----------------------------|---|-----------------------------|-----------------------|----------------------------------|-----------------------------|-----------------------|-----------------------------|-----------------------|
| per alesaggio <i>for bore</i> | ISO | | UNITOP | | per alesaggio <i>for bore</i> | ISO | | UNITOP | |
| | sigla <i>part number</i> | codice <i>code</i> | sigla <i>part number</i> | codice <i>code</i> | | sigla <i>part number</i> | codice <i>code</i> | sigla <i>part number</i> | codice <i>code</i> |
| 25 | KQ025 | 39.003.3 | | | 25 | KQ025P | 39.013.3 | | |
| 32 | KQ032 | 39.004.3 | KQ032 | 39.004.3 | 32 | KQ032P | 39.014.3 | KQ032P | 39.014.3 |
| 40 | KQ040 | 39.005.3 | KU040 | 39.105.3 | 40 | KQ040P | 39.015.3 | KU040P | 39.115.3 |
| 50 | KQ050 | 39.006.3 | KU050 | 39.106.3 | 50 | KQ050P | 39.016.3 | KU050P | 39.116.3 |
| 63 | KQ063 | 39.007.3 | KU063 | 39.107.3 | 63 | KQ063P | 39.017.3 | KU063P | 39.117.3 |
| 80 | KQ080 | 39.008.3 | KU080 | 39.108.3 | 80 | KQ080P | 39.018.3 | KU080P | 39.118.3 |
| 100 | KQ100 | 39.009.3 | KU100 | 39.109.3 | 100 | KQ100P | 39.019.3 | KU100P | 39.119.3 |

MAGNETICO, guarnizioni VITON

| normale | | stelo passante <i>(passing-through rod)</i> | | | | | | | |
|----------------------------------|-----------------------------|---|-----------------------------|-----------------------|----------------------------------|-----------------------------|-----------------------|-----------------------------|-----------------------|
| per alesaggio <i>for bore</i> | ISO | | UNITOP | | per alesaggio <i>for bore</i> | ISO | | UNITOP | |
| | sigla <i>part number</i> | codice <i>code</i> | sigla <i>part number</i> | codice <i>code</i> | | sigla <i>part number</i> | codice <i>code</i> | sigla <i>part number</i> | codice <i>code</i> |
| 25 | KQ025V | 39.023.3 | | | 25 | KQ025PV | 39.033.3 | | |
| 32 | KQ032V | 39.024.3 | KQ032V | 39.024.3 | 32 | KQ032PV | 39.034.3 | KQ032PV | 39.034.3 |
| 40 | KQ040V | 39.025.3 | KU040V | 39.125.3 | 40 | KQ040PV | 39.035.3 | KU040PV | 39.135.3 |
| 50 | KQ050V | 39.026.3 | KU050V | 39.126.3 | 50 | KQ050PV | 39.036.3 | KU050PV | 39.136.3 |
| 63 | KQ063V | 39.027.3 | KU063V | 39.127.3 | 63 | KQ063PV | 39.037.3 | KU063PV | 39.137.3 |
| 80 | KQ080V | 39.028.3 | KU080V | 39.128.3 | 80 | KQ080PV | 39.038.3 | KU080PV | 39.138.3 |
| 100 | KQ100V | 39.029.3 | KU100V | 39.129.3 | 100 | KQ100PV | 39.039.3 | KU100PV | 39.139.3 |

Maggiori informazioni sono disponibili all'indirizzo internet <http://www.azpneumatica.srl/azweb/ita/kitcilq.htm>

More information is available at the internet address <http://www.azpneumatica.srl/azweb/ita/kitcilq.htm>

barre per camicia cilindri compatti

barrel for compact cylinders



| | codice di ordinazione order code | dimensioni - dimensions [mm] | | | | | peso weight [kg/m] |
|--|-------------------------------------|---------------------------------|------|-------|----|-------|--------------------------|
| | | A | B | C | D | E | |
| | 000.552.7 | $\varnothing 25^{H11}$ | 26 | 39.7 | 26 | - | 1.893 |
| | 000.553.7 | $\varnothing 32^{\pm 0.1}$ | 18.5 | 48.2 | 39 | 11.05 | 2.034 |
| | 000.554.7 | $\varnothing 40^{\pm 0.1}$ | 23 | 55 | 45 | 11.05 | 2.470 |
| | 000.555.7 | $\varnothing 50^{\pm 0.1}$ | 29 | 68 | 55 | 10 | 3.316 |
| | 000.556.7 | $\varnothing 63^{\pm 0.125}$ | 38 | 79 | 65 | 19 | 4.087 |
| | 000.557.7 | $\varnothing 80^{\pm 0.125}$ | 48 | 94 | 80 | 27 | 5.287 |
| | 000.558.7 | $\varnothing 100^{+0.2}_{-0.1}$ | 62 | 114.5 | 99 | 40 | 7.489 |

| composizione chimica chemical composition | Cu | Fe | Mn | Mg | Si | Zn | Cr | Ti | Al resto |
|--|--------|-------------|--------|-------------|-------------|--------|--------|--------|-------------|
| | ≤ 0.10 | 0.10 ÷ 0.30 | ≤ 0.10 | 0.35 ÷ 0.60 | 0.30 ÷ 0.60 | ≤ 0.15 | ≤ 0.05 | ≤ 0.10 | |

Fori di fissaggio

dal $\varnothing 25$ al $\varnothing 100$: predisposti per l'uso di viti autofilettanti

Fixing holes

from $\varnothing 25$ to $\varnothing 100$: prepared for the use of self-tapping screws